

Model: Russian-C1		Date: 15-Feb-00	No.: RA265002
Subject: Service Manual Correciton		Prepared by: S. Tomoe	
From: Technical Services Dept., GTS Division			
Classification:	<input type="checkbox"/> Troubleshooting	<input type="checkbox"/> Part information	<input type="checkbox"/> Action required
	<input type="checkbox"/> Mechanical	<input type="checkbox"/> Electrical	<input type="checkbox"/> Service manual revision
	<input type="checkbox"/> Paper path	<input type="checkbox"/> Transmit/receive	<input type="checkbox"/> Retrofit information
	<input checked="" type="checkbox"/> Other ()		

Please correct your service manuals as follows:

- The optional 48 MB memory is not required when installing the optional finisher.

1.2.2 INSTALABLE OPTION TABLE (P 1-7)

- Incorrect -

No.	Option	Russian-C1A/C1B	Note
11	1000-sheet Finisher (Option)	Δ	Requires No. 10, 12 and either no.3 or 4

- Correct -

No.	Option	Russian-C1A/C1B	Note
11	1000-sheet Finisher (Option)	Δ	Requires No. 10 and either no.3 or 4

3.12. 1,000-SHEET FINISHER INSTALLATION (P 3-35)

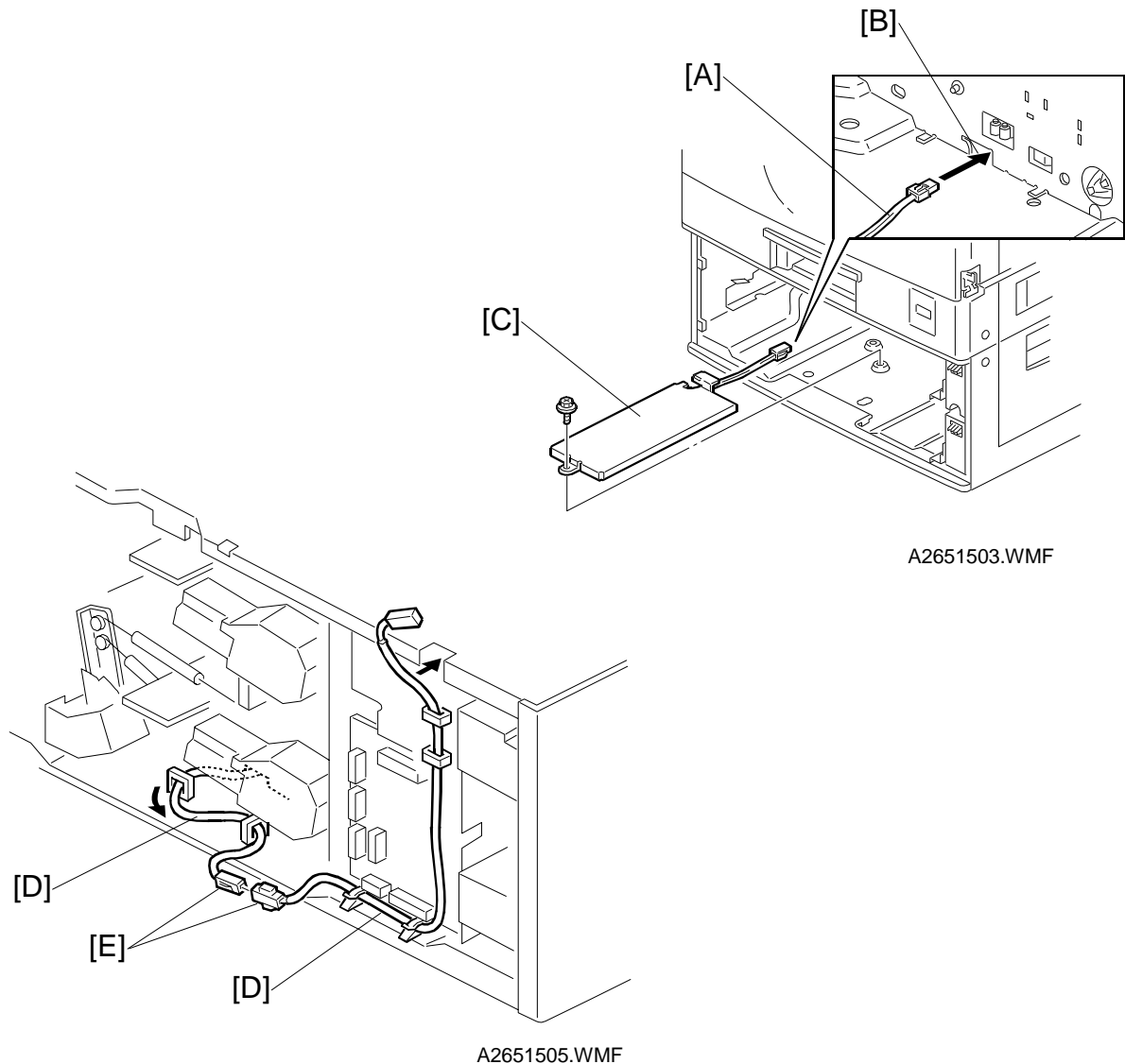
Delete Note no.2: "If this finisher will be installed on the A265 or A267 copier, ..."

- SP 5-401-2 and -3 are only used in machines for the Japanese market.

Please correct the SP mode table as follows:

Mode No.			Function	Setting
Class 1 and 2	Class 3			
5-401	2	User Code Mode (Fax)	This SP is for Japan only, Do not change the value.	0: No 1: Yes
	3	User Code Mode (Fax)		

3. The call-outs and installation steps for the optional tray heater should be corrected as follows (P 3-46).



5. Slide out the two paper trays from the optional paper tray unit.
6. Pass the connector [A] through the opening [B].
7. Install the tray heater assembly [C] (1 screw).
8. Clamp the cables [D], as shown.
9. Join the connectors [E].
10. Reinstall the cable guide.

Model: Russian-C1	Date: 15-Feb-00	No.: RA265002
-------------------	-----------------	---------------

4. The settings of the following SP modes should be corrected.

SP1-908-8, SP1-909-8, SP1-910-8, and SP1-911-8

Incorrect	correct
0: None (Not used)	0: None (Not used)
1: HLT/A5	1: HLT/A5
2: A4	2: A4T
3: LT	3: LG, LTT
4: DLT	4: DLT, LT
5: A3	5: A3, A4

Note: The "T" after A4 and LT refer to the lengthwise feeding direction.

SP1-908-9, SP1-909-9, SP1-910-9, and SP1-911-9

Incorrect	correct
0: None (Not used)	0: None (Not used)
1: HLT/A5	1: HLT/A5
2: A4	2: A4T
3: LT	3: LG, LTT
4: DLT	4: DLT, LT
5: A3	5: A3, A4

Note: The "T" after A4 and LT refer to the lengthwise feeding direction.

5. Add the following SC code:

7.1.2 SC CODE DESCRIPTIONS

SC981: NVRAM Error

Definition: [B]

The NVRAM is defective

Possible Causes:

- NVRAM defective
- BICU defective

Model: Russian-C1	Date: 15-Feb-00	No.: RA265002
-------------------	-----------------	---------------

6. The PM table for the 1000-sheet finisher should be corrected (P 5-2).

Delete Punch Waste Hopper.

	EM	120K	240K	360K	Note
1,000-SHEET FINISHER					
Punch Waste Hopper	 	 	 	 	Empty the hopper.

7. The following part number should be corrected (P 4-83).

Wrong Parts Number	Correct Parts Number	Description	Q'ty
A2679001	A2679099	NVRAM – Minus Counter	1

8. The following HDD error code for the printer should be corrected:

6.2 ERROR CODES (Printer controller, P-6-2)

- Incorrect -

Code	Description	Required Action
3002	A damaged cluster was found on the HDD.	The damaged cluster is automatically marked as "bad". If this error is frequent, format the HDD.

- Correct -

Code	Description	Required Action
3003 or 3004	A damaged cluster was found on the HDD.	The damaged cluster is automatically marked as "bad". If this error is frequent, format the HDD.

Technical Bulletin

PAGE: 1/2

Model: Russian-C1		Date: 08-Mar-00	No.: RA265004
Subject: Printer Firmware History		Prepared by: S. Tomoe	
From: Technical Services Dept., GTS Division			
Classification:	<input type="checkbox"/> Troubleshooting	<input type="checkbox"/> Part information	<input type="checkbox"/> Action required
	<input type="checkbox"/> Mechanical	<input type="checkbox"/> Electrical	<input type="checkbox"/> Service manual revision
	<input type="checkbox"/> Paper path	<input type="checkbox"/> Transmit/receive	<input type="checkbox"/> Retrofit information
	<input checked="" type="checkbox"/> Other ()		

Printer firmware history for the Russian-C1

- For Other Models -

B3065280	Version	C. SUM	Production
A	1.2.0	A8EA	1st Mass Prod.
B	1.2.9	B908	January Prod. '00

- Lanier -

B3065283	Version	C. SUM	Production
A	1.2.0	FCB9	1st Mass Prod.

Technical Bulletin

PAGE: 2/2

Model: Russian-C1	Date: 08-Mar-00	No.: RA265004
-------------------	-----------------	---------------

Symptom Corrected	Other models	Lanier
Firmware modified so that it can be used with printer controllers for China and Taiwan.	B	---
Firmware modified so that it will be compatible with the new HDD to be used in the printer controller. Note: The new HDD is identical in function to the previous one.	B	---
If a Postscript Driver job is canceled midway through, the image data for the next job is not printed out correctly.	B	---
"Waiting..." is displayed when an error occurs, but the machine does not return to normal operating mode (ready status). The next job is not printed out.	B	---
When two separate jobs of text data less than 256 bytes are sent from the network, the two jobs are printed out simultaneously on the same page.	B	---
It is possible to print out the HDD Directory List when there is no HDD or PS option installed.	B	---
Corrects Taiwanese translation error.	B	---
If data recovery (Raster image production) takes longer than usual when using Formfeed, the Alarm LED remains lit until printing begins. To correct this, the LED can now be turned off by pressing the ENTER key.	B	---

Reissued: 21-Mar-00

Model: Russian-C1	Date: 08-Mar-00	No.: RA265004a
-------------------	-----------------	----------------

RTB Correction

The items in bold italics have been corrected or added.

Subject: Printer Firmware History		Prepared by: S. Tomoe	
From: Technical Services Dept., GTS Division			
Classification:	<input type="checkbox"/> Troubleshooting	<input type="checkbox"/> Part information	<input type="checkbox"/> Action required
	<input type="checkbox"/> Mechanical	<input type="checkbox"/> Electrical	<input type="checkbox"/> Service manual revision
	<input type="checkbox"/> Paper path	<input type="checkbox"/> Transmit/receive	<input type="checkbox"/> Retrofit information
	<input checked="" type="checkbox"/> Other ()		

Printer firmware history for the Russian-C1

Other Models

B3065280	Version	C. SUM	Production
A	1.2.0	A8EA	1st Mass Prod.
B	1.2.9	B908	January Prod. '00
<i>C</i>	<i>1.3.4</i>	<i>C923</i>	<i>March Prod. '00</i>

Lanier Model

B3065283	Version	C. SUM	Production
A	1.2.0	FCB9	1st Mass Prod.
<i>B</i>	<i>1.3.4</i>	<i>E967</i>	<i>March Prod. '00</i>

Reissued: 21-Mar-00

Model: Russian-C1	Date: 08-Mar-00	No.: RA265004a
-------------------	-----------------	----------------

Symptom Corrected (see RTB 4 for earlier symptoms)	Other models	Lanier
<i>Electrical sort mode (collation) will be disabled when special paper mode is selected for tray 2.</i>	C	B
<i>If the bridge unit cover is opened during printing in electrical sort mode (second set onward), the machine cannot recover from the resulting jam condition.</i>	C	B
<i>Even when the PJLK command "<Esc>&11H" is released instructing the machine to feed the paper from tray 2, the paper is not fed from the tray.</i>	C	B
<i>Version 1.3.4 is being released in response to a special request from the Italian Postal Service. In addition to the cumulative total counter value (copier/fax/printer), the total counter values for each function can be sent to PCs connected to the PAS Server.</i>	C	B
<i>With Overlay printing, the text outside the fixed overlay pattern is printed out as PCL commands (specifically, the ESC sequence).</i>	C	B

Model: Russian-C (Printer Option)		Date: 29-Mar-00	No.: RA265007
Subject: Hard Disk Compatibility		Prepared by: K. Misugi	
From: Technical Services Dept., GTS Division			
Classification:	<input checked="" type="checkbox"/> Troubleshooting	<input type="checkbox"/> Part information	<input type="checkbox"/> Action required
	<input type="checkbox"/> Mechanical	<input type="checkbox"/> Electrical	<input type="checkbox"/> Service manual revision
	<input type="checkbox"/> Paper path	<input type="checkbox"/> Transmit/receive	<input type="checkbox"/> Retrofit information
	<input type="checkbox"/> Other ()		

This RTB informs possible compatibility problems with the Printer Hard Disk Type 185 (model code: G690-06).

This hard disk unit can be used in the following models.

- Stinger-C (Stinger-C1L) printer option
- Russian-C printer option
- Russian-P

Background

The production of the current 1.6 GB hard disk unit will be discontinued in March '00, and the new 6.0 GB hard disk will be used from April.

When the new 6.0 GB hard disk unit is installed in the machine with a previous version of the controller software, an error may occur.

Please note that the controller firmware has been modified from January '00 production (for all above models) so the machines are compatible with both the old 1.6 GB and the new 6.0 GB hard disk unit.

Compatibility Table

	Old 1.6 GB HDD (G690-06)	New 6.0 GB HDD (G690-07)
Previous controller firmware	Compatible	Error may occur
Version 1.2.9 or later (modified from January '00 production)	Compatible	Compatible

Symptom

The machine may not be able to detect the HDD at the power-on self-diagnostic test.

For Stinger-C/Russian-P with printer option: SC2001 3003 (HDD error) is displayed

For Russian-P: Error 5 (HDD error) is displayed

Solution

Turn the main switch off and on.

If the problem persists, try turning off and on again.

Model: Russian-C (Printer Option)	Date: 29-Mar-00	No.: RA265007
-----------------------------------	-----------------	---------------

Once the machine detects the HDD properly (no error message is displayed), there are no problems with the performance of the machine.

For a permanent solution, please upgrade the controller software with version 1.2.9 or later.

Model: Russian-C1 (Printer Option)		Date: 20-Apr-00	No.: RA265008
Subject: NIB NVRAM Backup and Restore		Prepared by: S. Tomoe	
From: Technical Services Dept., GTS Division			
Classification:	<input checked="" type="checkbox"/> Troubleshooting	<input type="checkbox"/> Part information	<input type="checkbox"/> Action required
	<input type="checkbox"/> Mechanical	<input type="checkbox"/> Electrical	<input type="checkbox"/> Service manual revision
	<input type="checkbox"/> Paper path	<input type="checkbox"/> Transmit/receive	<input type="checkbox"/> Retrofit information
	<input type="checkbox"/> Other ()		

This RTB informs of possible problems when using the NIB NVRAM backup and restore function.

Symptom

The machine may not start up after the NIB NVRAM backup procedure (Service Tool: NIB read/write). This problem may occur after the NIB NVRAM data is backed up to the controller (data copy direction: "NIB -> CTL").

This is because the NVRAM is not big enough to store all the NIB data.

Note: The NIB NVRAM backup and restore procedure is required only when replacing the NIB.

Solution

Do not use the NIB NVRAM backup (and restore) procedure.

If the machine does not start up after performing this function, you must download the controller firmware using the error recovery firmware update procedure. (This procedure will force the controller to boot from the IC card. Please refer to section 4.5.2 of the service manual for the detailed procedure.)

The controller firmware will be modified so this function will no longer be valid. It will not be shown in the Service Tools.

The firmware is modified from the April '00 production (version 1.3.6).

Currently there is no way to enable this function because the current NVRAM on the controller board is not big enough to store all the NIB NVRAM data.

After replacing a NIB, please input the data manually.

Printer Controller Service Manual (B306) Correction

The printer controller manual should be corrected as follows.

1. Delete the column for the Service Tools – L (NIB Read/Write) on page 4-2.
2. Delete section 4.4.3 NIB NVRAM BACKUP AND RESTORE on page 4-7.

Model: Russian-C1		Date: 22-May-00	No.: RA265014
Subject: Optional memory (Printer Option)		Prepared by: S. Tomoe	
From: Technical Services Dept., GTS Division			
Classification:	<input type="checkbox"/> Troubleshooting	<input type="checkbox"/> Part information	<input type="checkbox"/> Action required
	<input type="checkbox"/> Mechanical	<input type="checkbox"/> Electrical	<input type="checkbox"/> Service manual revision
	<input type="checkbox"/> Paper path	<input type="checkbox"/> Transmit/receive	<input type="checkbox"/> Retrofit information
	<input checked="" type="checkbox"/> Other (Specification information)		

This bulletin is to clarify the memory requirements for the available printer functions. The section for the printer controller in the Service Manual does not mention this information clearly.

Function	Optional memory	Optional HDD
Sort / Sort with Stapling	O	---
Rotate Sort	---	O
Duplex	O	---
Proof Print	---	O

O = required for this function

--- = not required for this function

Reissued: 09-Aug-00

Model: Russian-C1	Date: 08-Mar-00	No.: RA265004b
-------------------	-----------------	----------------

RTB Correction

The items in bold Italics have been corrected or added.

Subject: Printer Firmware History		Prepared by: S. Tomoe	
From: Technical Services Dept., GTS Division			
Classification:	<input type="checkbox"/> Troubleshooting	<input type="checkbox"/> Part information	<input type="checkbox"/> Action required
	<input type="checkbox"/> Mechanical	<input type="checkbox"/> Electrical	<input type="checkbox"/> Service manual revision
	<input type="checkbox"/> Paper path	<input type="checkbox"/> Transmit/receive	<input type="checkbox"/> Retrofit information
	<input checked="" type="checkbox"/> Other ()		

Printer firmware history for the Russian-C1.

For Other Models

B3065280	Version	C. SUM	Production
A	1.2.0	A8EA	1st Mass Prod.
B	1.2.9	B908	January Prod. '00
C	1.3.4	C923	March Prod. '00
<i>D</i>	<i>1.3.6</i>	<i>E26A</i>	<i>April prod. '00</i>

For Lanier

B3065283	Version	C. SUM	Production
A	1.2.0	FCB9	1st Mass Prod.
B	1.3.4	E967	March Prod. '00
<i>C</i>	<i>1.3.6</i>	<i>E38C</i>	<i>April Prod. '00</i>

Symptoms Corrected (for older symptoms, please refer to previous bulletins)	Other models	Lanier
<i>If a tray SC occurs during electrical sort (collation) printing, the error message does not appear on the LCD.</i>	<i>D</i>	<i>C</i>
<i>The NIB NVRAM back-up and restore function (SP mode: Service Tools "L: NIB read/write") is no longer valid.</i>	<i>D</i>	<i>C</i>
Note: Please refer to RTB No. RA265008 for details.		

Reissued: 04-Oct-00

Model: Russian-C	Date: 08-Mar-00	No.: RA265004c
------------------	-----------------	----------------

RTB Correction

The Items in bold italics have been corrected or added.

Subject: Printer Firmware History		Prepared by: S. Tomoe	
From: Technical Services Dept., GTS Division			
Classification:	<input type="checkbox"/> Troubleshooting	<input type="checkbox"/> Part information	<input type="checkbox"/> Action required
	<input type="checkbox"/> Mechanical	<input type="checkbox"/> Electrical	<input type="checkbox"/> Service manual revision
	<input type="checkbox"/> Paper path	<input type="checkbox"/> Transmit/receive	<input type="checkbox"/> Retrofit information
	<input checked="" type="checkbox"/> Other ()		

Printer firmware history for the Russian-C1

Other Models

B3065280	Version	C. SUM	Production
A	1.2.0	A8EA	1st Mass Prod.
B	1.2.9	B908	January Prod. '00
C	1.3.4	C923	March Prod. '00
D	1.3.6	E26A	April prod. '00
<i>E</i>	<i>1.4.0</i>	<i>0637</i>	<i>September Prod. '00</i>

Lanier Model

B3065283	Version	C. SUM	Production
A	1.2.0	FCB9	1st Mass Prod.
B	1.3.4	E967	March Prod. '00
C	1.3.6	E38C	April Prod. '00

Reissued: 04-Oct-00

Model: Russian-C	Date: 08-Mar-00	No.: RA265004c
------------------	-----------------	----------------

Symptom Corrected (new ones only – see older bulletins for other symptoms corrected)	Other models	Lanier
<i>The printed area is shifted slightly when “Unit of Measure” is defined using the macro command.</i>	<i>E</i>	---
<i>With Raster images, sometimes part of the right edge of the printable area comes out blank.</i>	<i>E</i>	---
<i>Italian and Spanish text characters overlap each other on the configuration page error log.</i>	<i>E</i>	---
<i>The following title on the configuration page has been changed: “Printer Name (NetWare)” → “Printer Name”.</i>	<i>E</i>	---
<i>If the optional memory and PS option are not installed, A3-size images read by a scanner cannot be printed out.</i>	<i>E</i>	---

Reissued: 26-Oct-00

Model: Russian-C1	Date: 08-Mar-00	No.: RA265004d
-------------------	-----------------	----------------

RTB Correction

The items in bold italics have been corrected or added.

Subject: Printer Firmware History		Prepared by: S. Tomoe	
From: Technical Services Dept., GTS Division			
Classification:	<input type="checkbox"/> Troubleshooting	<input type="checkbox"/> Part information	<input type="checkbox"/> Action required
	<input type="checkbox"/> Mechanical	<input type="checkbox"/> Electrical	<input type="checkbox"/> Service manual revision
	<input type="checkbox"/> Paper path	<input type="checkbox"/> Transmit/receive	<input type="checkbox"/> Retrofit information
	<input checked="" type="checkbox"/> Other ()		

Printer firmware history for the Russian-C1.

Items in bold italics have been corrected or added.

Lanier

B3065283	Version	C. SUM	Production
A	1.2.0	FCB9	1st Mass Prod.
B	1.3.4	E967	March Prod. '00
C	1.3.6	E38C	April Prod. '00

Others

B3065280	Version	C. SUM	Production
A	1.2.0	A8EA	1st Mass Prod.
B	1.2.9	B908	January Prod. '00
C	1.3.4	C923	March Prod. '00
D	1.3.6	E26A	April prod. '00
E	1.4.0	0637	September Prod. '00
<i>F</i>	<i>1.4.4</i>	<i>1507</i>	<i>November Prod. '00</i>

Reissued: 26-Oct-00

Model: Russian-C1	Date: 08-Mar-00	No.: RA265004d
-------------------	-----------------	----------------

Symptom Corrected	Other models	Lanier
<i>Part of the image is missing for the first two pages when printing out with the Unico2000 CAD application.</i>	F	---
<i>When printing out with the Microsoft Mini Driver for Windows NT Terminal Server, the image created is sometimes out of specification.</i>	F	---
<i>When printing out a file made with certain CAD applications for DOS without using a printer driver, thick lines on the original image appear thin on the output. ** To activate this correction, it is necessary to set Bit SW3, bit 3 to <u>1</u> (0=Disabled, 1=Enabled).</i>	F	---
<i>Firmware modified to meet the functional specifications of the Tray Priority function.</i>	F	---
<i>In some stapling modes, the printing image direction is not same as the copier's. ** To activate this correction, it is necessary to set Bit SW3, bit 7 to <u>1</u> (0=Disabled, 1=Enabled).</i>	F	---
<i>The print speed slows down during continuous printing of a 1-page job. ** To activate this correction, it is necessary to set Bit SW3, bit 2 to <u>1</u> (0=Disabled, 1=Enabled) and SET BIT SW3, bit 4 to <u>1</u> (DAZEL support function disabled). The correction will not be effective if both of these switches are enabled.</i>	F	---
<i>Firmware modified so that the controller can connect to and be used with the DAZEL System. However, the Russian-C is not yet officially certified by DAZEL Corp. When you enable this function, it is necessary to do the following: -Upgrade the NIB firmware to version 4.0.6 or later and the PS3 firmware to version 1.2.4 or later. -Set the NIC to bi-directional-mode (refer to the NIC manual). -Do not set Bit SW3, bit 2 to 1 (as explained above, these two switches should not be simultaneously enabled). To deactivate the DAZEL support function, set Bit SW3, bit 4 to <u>1</u> (0=Enabled, 1=Disabled).</i>	F	---

Reissued: 08-Dec-00

Model: Russian-C1	Date: 08-Mar-00	No.: RA265004e
-------------------	-----------------	----------------

RTB Correction

The items in bold italics have been corrected or added.

Subject: Printer Firmware History		Prepared by: S. Tomoe	
From: Technical Services Dept., GTS Division			
Classification:	<input type="checkbox"/> Troubleshooting	<input type="checkbox"/> Part information	<input type="checkbox"/> Action required
	<input type="checkbox"/> Mechanical	<input type="checkbox"/> Electrical	<input type="checkbox"/> Service manual revision
	<input type="checkbox"/> Paper path	<input type="checkbox"/> Transmit/receive	<input type="checkbox"/> Retrofit information
	<input checked="" type="checkbox"/> Other ()		

This is to inform you of the printer firmware history for the Russian-C1.
Items in bold italics have been corrected or added.

For Other Models

B3065280	Version	C. SUM	Production
A	1.2.0	A8EA	1st Mass Prod.
B	1.2.9	B908	January Prod. '00
C	1.3.4	C923	March Prod. '00
D	1.3.6	E26A	April prod. '00
E	1.4.0	0637	September Prod. '00
F	1.4.4	1507	November Prod. '00
G	1.4.8	DAFC	December Prod. '00

For Lanier

B3065283	Version	C. SUM	Production
A	1.2.0	FCB9	1st Mass Prod.
B	1.3.4	E967	March Prod. '00
C	1.3.6	E38C	April Prod. '00

Reissued: 08-Dec-00

Model: Russian-C1	Date: 08-Mar-00	No.: RA265004e
-------------------	-----------------	----------------

Symptoms Corrected (New symptoms only – for older ones, see earlier RTBs)	Other models	Lanier
<i>When printing out from a certain DOS application, the right part of the internal print pattern is missing.</i>	G	---
<i>When using a certain DOS CAD application, the paper size and/or paper feed direction are not sent to the controller, and the machine uses the defaults.</i>	G	---
<i>When printing out with a certain macro, the frame and lower area of the image are missing.</i>	G	---
<i>When using the Dazel system, the job cannot be reset after the paper feed tray reaches paper end.</i>	G	---

Reissued: 22-Jan-01

Model: Russian-C1	Date: 08-Mar-00	No.: RA265004f
-------------------	-----------------	----------------

RTB Correction

The items in bold italics have been corrected or added.

Subject: Printer Firmware History		Prepared by: S. Tomoe	
From: Technical Services Dept., GTS Division			
Classification:	<input type="checkbox"/> Troubleshooting	<input type="checkbox"/> Part information	<input type="checkbox"/> Action required
	<input type="checkbox"/> Mechanical	<input type="checkbox"/> Electrical	<input type="checkbox"/> Service manual revision
	<input type="checkbox"/> Paper path	<input type="checkbox"/> Transmit/receive	<input type="checkbox"/> Retrofit information
	<input checked="" type="checkbox"/> Other ()		

Printer firmware history for the Russian-C1.

Items in bold italics have been corrected or added.

Other Models

B3065280	Version	C. SUM	Production
A	1.2.0	A8EA	1st Mass Prod.
B	1.2.9	B908	January Prod. '00
C	1.3.4	C923	March Prod. '00
D	1.3.6	E26A	April prod. '00
E	1.4.0	0637	September Prod. '00
F	1.4.4	1507	November Prod. '00
G	1.4.8	DAFC	December Prod. '00
<i>H</i>	<i>1.4.9</i>	<i>8F64</i>	<i>January Prod. '01</i>

Lanier

B3065283	Version	C. SUM	Production
A	1.2.0	FCB9	1st Mass Prod.
B	1.3.4	E967	March Prod. '00
C	1.3.6	E38C	April Prod. '00
<i>D</i>	<i>1.4.9</i>	<i>B6C9</i>	<i>January Prod. '01</i>

Reissued: 22-Jan-01

Model: Russian-C1	Date: 08-Mar-00	No.: RA265004f
-------------------	-----------------	----------------

Symptom Corrected (new symptoms and changes only – for others, see older bulletins)	Other models	Lanier
<i>If Add Toner occurs during printing with staple mode, the machine does not print out the remaining page even if the toner bottle is replaced.</i>	<i>H</i>	<i>D</i>
<i>After an A4 LEF print job is completed and the ON Line key is pressed, it takes a relatively long time to enter OFF Line mode.</i>	<i>H</i>	<i>D</i>
<i>When printing an MS Word 97 or WordPad document using the PCL 6 driver with the following functions enabled, the front side is printed out with Top Binding and the rear side is printed out with Side Binding: Duplex-Side Binding and in Paper mode Different Paper for First Page (First Page from 1 or 2 Tray and Other Pages from Tray 3 or 4; Destination – Printer Default). This problem doesn't occur with the PCL5e driver.</i>	<i>H</i>	<i>D</i>
<i>The controller stalls when the test document (A4 LEF) for Corel Draw 9 is printed.</i>	<i>H</i>	<i>D</i>
<i>The "Paper Type" information is not listed in the configuration sheet when the by-pass feed unit is installed.</i>	<i>H</i>	<i>D</i>
When printing out from a certain DOS application, the right part of the internal print pattern is missing.	G	<i>D</i>
When using a certain DOS (CAD) application, the paper size and/or paper feed direction are not sent to the controller, and the machine uses the defaults.	G	<i>D</i>
When printing out with a certain macro, the frame and lower area of the image are missing.	G	<i>D</i>
When using the Dazel system, the job cannot be reset after the paper feed tray reaches paper end.	G	<i>D</i>
Part of the image is missing for the first two pages when printing out with the Unico2000 CAD application.	F	<i>D</i>
When printing out with the Microsoft Mini Driver for Windows NT Terminal Server, the image created is sometimes out of specification.	F	<i>D</i>
When printing out a file made with certain CAD applications for DOS without using a printer driver, thick lines on the original image appear thin on the output. ** To activate this correction, it is necessary to set Bit SW3, bit 3 to <u>1</u> (0=disabled, 1=Enabled).	F	<i>D</i>
Firmware modified to meet the functional specifications of the Tray Priority function.	F	<i>D</i>
In some stapling modes, the printing image direction is not same as the copier's. ** To activate this correction, it is necessary to set Bit SW3, bit 7 to <u>1</u> (0=disabled, 1=Enabled).	F	<i>D</i>
The print speed slows down during consecutive printing of 1-page jobs. ** To activate this correction, it is necessary to set Bit SW3, bit 2 to <u>1</u> (0=Disabled, 1=Enabled) and set BIT SW3, bit 4 to <u>1</u> (DAZEL support function disabled). The correction will not be effective if both of these switches are enabled.	F	<i>D</i>
Firmware modified so that the controller can connect to and be used with the DAZEL System. However, the Russian-C is not yet officially certified by DAZEL Corp. When you enable this function, it is necessary to do the following: -Upgrade the NIB firmware to version 4.0.6 or later and the PS3 firmware to version 1.2.4 or later. -Set the NIC to bi-directional mode (refer to the NIC manual). -Do not set Bit SW3, bit 2 to 1 (as explained above, these two SW should not be simultaneously enabled).	F	<i>D</i>
To deactivate the DAZEL support function, set Bit SW3, bit 4 to 1 (0=Enabled,		

Reissued: 22-Jan-01

Model: Russian-C1	Date: 08-Mar-00	No.: RA265004f
1=Disabled).		
The printed area is shifted slightly when "Unit of Measure" is defined using the macro command.	E	<i>D</i>
With Raster images, sometimes part of the right edge of the printable area comes out blank.	E	<i>D</i>
Italian and Spanish text characters overlap each other on the configuration page error log.	E	<i>D</i>
The following title on the configuration page has been changed: "Printer Name (NetWare)" → "Printer Name".	E	<i>D</i>
If the optional memory and PS option are not installed, A3-size images read by a scanner cannot be printed out.	E	<i>D</i>

Reissued: 14-Sep-01

Model: Russian-C1	Date: 08-Mar-00	No.: RA265004g
-------------------	-----------------	----------------

RTB Correction

The items in bold italics have been corrected or added.

Subject: Printer Firmware History		Prepared by: S. Tomoe	
From: Technical Services Dept., GTS Division			
Classification:	<input type="checkbox"/> Troubleshooting	<input type="checkbox"/> Part information	<input type="checkbox"/> Action required
	<input type="checkbox"/> Mechanical	<input type="checkbox"/> Electrical	<input type="checkbox"/> Service manual revision
	<input type="checkbox"/> Paper path	<input type="checkbox"/> Transmit/receive	<input type="checkbox"/> Retrofit information
	<input checked="" type="checkbox"/> Other ()		

Printer firmware history for the Russian-C1.
Items in bold italics have been corrected or added.

For Models Other than Lanier

B3065280	Version	C. SUM	Production
A	1.2.0	A8EA	1st Mass Prod.
B	1.2.9	B908	January Prod. '00
C	1.3.4	C923	March Prod. '00
D	1.3.6	E26A	April prod. '00
E	1.4.0	0637	September Prod. '00
F	1.4.4	1507	November Prod. '00
G	1.4.8	DAFC	December Prod. '00
H	1.4.9	8F64	January Prod. '01
<i>J</i>	<i>1.5.4</i>	<i>CDBB</i>	<i>September Prod. '01</i>

For the Lanier Model

B3065283	Version	C. SUM	Production
A	1.2.0	FCB9	1st Mass Prod.
B	1.3.4	E967	March Prod. '00
C	1.3.6	E38C	April Prod. '00
D	1.4.9	B6C9	January Prod. '01
<i>E</i>	<i>1.5.4</i>	<i>DF94</i>	<i>September Prod. '01</i>

Reissued: 14-Sep-01

Model: Russian-C1	Date: 08-Mar-00	No.: RA265004g
-------------------	-----------------	----------------

Symptom Corrected	Other models	Lanier
<i>For Dazel: When a stack job has been cancelled, a mismatch occurs between the actual number of pages printed out and the number reported to the server.</i>	J	E
<i>The OCR font does not download to the HDD.</i>	J	E
<i>With the PS driver, the printer does not print out jobs when the Separator function has been selected.</i>	J	E
<i>The Configuration Sheet does not print out.</i>	J	E
<i>When a job has been sent with the PS driver but the tray has not been specified (w/manual selection), the machine does not inform Aficio Manager of this error.</i>	J	E
<i>When using the PS driver for a collation print job (bypass feed), only the 1st set is printed out.</i>	J	E
<i>A buffer size error occurs during data communication over IEEE1284 ECP.</i>	J	E

Reissued: 16-May-02

Model: Russian-C1	Date: 08-Mar-00	No.: RA265004h
-------------------	-----------------	----------------

RTB Correction

The items in bold italics have been corrected or added.

Subject: Printer Firmware History		Prepared by: S. Tomoe	
From: Technical Services sec. Service Planning Dept.			
Classification:	<input type="checkbox"/> Troubleshooting	<input type="checkbox"/> Part information	<input type="checkbox"/> Action required
	<input type="checkbox"/> Mechanical	<input type="checkbox"/> Electrical	<input type="checkbox"/> Service manual revision
	<input type="checkbox"/> Paper path	<input type="checkbox"/> Transmit/receive	<input type="checkbox"/> Retrofit information
	<input checked="" type="checkbox"/> Other ()		

Printer firmware history for the Russian-C1.

Items in bold italics have been corrected or added.

For Models Other than Lanier

B3065280	Version	C. SUM	Production
A	1.2.0	A8EA	1st Mass Prod.
B	1.2.9	B908	January Prod. '00
C	1.3.4	C923	March Prod. '00
D	1.3.6	E26A	April prod. '00
E	1.4.0	0637	September Prod. '00
F	1.4.4	1507	November Prod. '00
G	1.4.8	DAFC	December Prod. '00
H	1.4.9	8F64	January Prod. '01
J	1.5.4	CDBB	September Prod. '01
<i>K</i>	<i>1.5.6</i>	<i>33C8</i>	<i>December Prod. '01</i>
<i>L</i>	<i>1.5.7</i>	<i>543B</i>	<i>May Prod. '02</i>

For Lanier Models

B3065283	Version	C. SUM	Production
A	1.2.0	FCB9	1st Mass Prod.
B	1.3.4	E967	March Prod. '00
C	1.3.6	E38C	April Prod. '00
D	1.4.9	B6C9	January Prod. '01
E	1.5.4	DF94	September Prod. '01
<i>F</i>	<i>1.5.6</i>	<i>3063</i>	<i>December Prod. '01</i>
<i>G</i>	<i>1.5.7</i>	<i>1D68</i>	<i>May Prod. '02</i>

Reissued: 16-May-02

Model: Russian-C1	Date: 08-Mar-00	No.: RA265004h
-------------------	-----------------	----------------

Symptom Corrected	Other models	Lanier
<i>Using a specific DOS application (UNICO2001); When the data includes the following printing order, the printer will hang up.</i> <ul style="list-style-type: none"> <i>Duplex printing from odd page and single page printing</i> 	L	G
<i>Add some Euro Symbol Sets and Euro Currency Codes for compatibility with HP printers. (PCL5e, PCLXL)</i>	L	G
<i>The Engine Maintenance message "Service man call" has been changed to "Service call".</i>	L	G
<i>When the paper runs out while sort print is performing and perform the forced print, the printer prints a multiple set of the job.</i>	L	G
<i>When printing the PCL file, certain characters do not print.</i>	L	G
<i>Software modified so that it is possible to perform jobs containing a mixture of PCL and PS commands when printing directly from a host application.</i>	L	G
<i>The printer freezes up when the priority paper tray is pulled out after the PS driver is unable to locate the paper size specified in the driver.</i>	K	F
<i>When adding macro commands to a multiple-page duplex print job, such as when directly printing out from DOS, the first sheet comes out one-sided.</i>	K	F